

ARCH-BOX SERIES

Arch-Box (AB) Series



Nominal Bridge Unit Length:
 12' - 24' Spans: 8'-0"
 28' - 42' Spans: 6'-0"
 48' - 80' Spans: 4'-0"

Waterway Area (SF)

Clear Rise \ Nominal Span	12'	14'	16'	20'	24'	28'	32'	36'	42'	48'	54'	60'	72'	84'
1'	7	9	9	9	9	11	12	12	12	14	16	16	28	30
2'	18	22	24	26	26	31	33	33	33	39	44	44	66	71
3'	30	36	39	45	48	57	60	61	61	72	81	81	111	120
4'	42	50	55	65	71	83	89	92	94	110	125	125	163	177
5'	54	64	71	85	95	111	120	126	130	152	173	174	222	240
6'	66	78	87	105	119	138	153	161	168	197	224	228	284	308
7'	78	92	103	125	139	167	184	197	209	244	276	284	350	380
8'	90	106	119	145	167	195	216	232	250	291	329	342	418	457
9'	102	120	135	165	191	223	248	268	292	340	383	401	488	536
10'	114	134	151	185	215	251	280	304	333	387	437	461	559	617
11'	126	148	167	205	239	279	315	340	375	435	491	521	630	699
12'	138	162	183	225	263	307	344	376	417	483	545	581	702	782
13'	150	176	199	245	287	335	376	412	460	531	599	641	774	865
14'	162	190	215	265	311	363	408	448	501	579	653	701	846	949
15'	174	204	231	285	335	391	440	484	544	627	707	761	918	1033

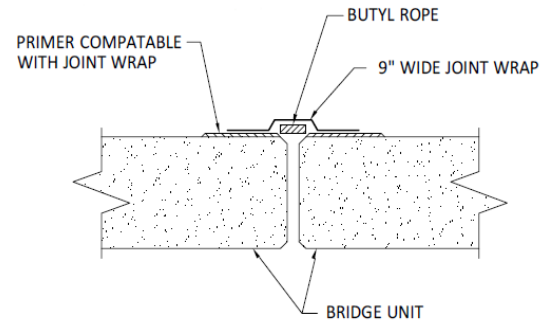
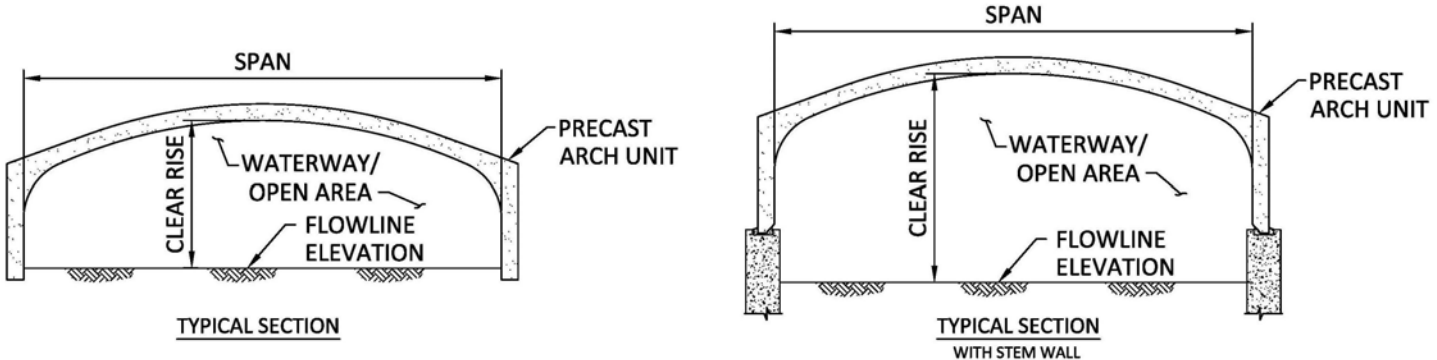
Indicates twin-leaf installation

Thick line indicates minimum precast rise

Weight (Tons/ft)

Clear Rise \ Nominal Span	12'	14'	16'	20'	24'	28'	32'	36'	42'	48'	54'	60'	72'	84'
3'	0.94	1.04												
4'	1.04	1.14	1.58											
5'	1.14	1.24	1.71	1.86	2.06									
6'	1.24	1.34	1.83	1.99	2.19	2.84								
7'	1.34	1.44	1.96	2.11	2.31	2.99	3.56							
8'	1.44	1.54	2.08	2.24	2.44	3.14	3.71	4.06						
9'	1.54	1.64	2.21	2.36	2.56	3.29	3.86	4.23	4.75					
10'	1.64	1.74	2.33	2.49	2.69	3.44	4.01	4.41	4.85	5.28	6.51			
11'	1.74	1.84	2.46	2.61	2.81	3.59	4.16	4.58	5.03	5.48	6.71	7.11		
12'	1.84	1.94	2.58	2.74	2.94	3.74	4.31	4.76	5.20	5.68	6.91	7.33		
13'	1.94	2.04	2.71	2.86	3.06	3.89	4.46	4.93	5.38	5.88	7.11	7.56	11.06	
14'	2.04	2.14	2.83	2.99	3.19	4.04	4.61	5.11	5.55	6.08	7.31	7.78	11.33	
15'	2.14	2.24	2.96	3.11	3.31	4.19	4.76	5.28	5.73	6.27	7.51	8.01	11.60	14.80

Indicates twin-leaf installation



NOTE:
 Joint is considered "soil-tight".
 Additional protection is
 recommended if a water-tight
 joint is required.