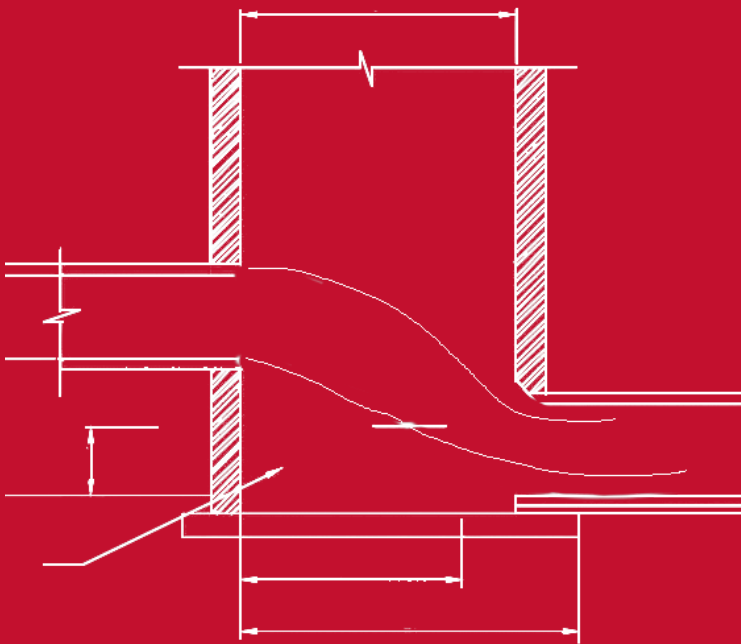


WET UTILITY

WHEN IT COMES TO MANAGING STORMWATER AND SANITARY SYSTEMS EFFICIENTLY AND EFFECTIVELY, PRECAST STORM AND SANITARY STRUCTURES ARE THE CORNERSTONES OF MODERN INFRASTRUCTURE. THESE PRECAST CONCRETE STRUCTURES PLAY A CRUCIAL ROLE IN ENSURING THE SMOOTH FLOW OF STORMWATER AND WASTEWATER, PREVENTING FLOODING, PROTECTING THE ENVIRONMENT, AND MAINTAINING PUBLIC HEALTH.

OUR STANDARD WET UTILITY PRODUCTS OFFER HIGH AVAILABILITY, FLEXIBLE DESIGN, EASE OF INSTALLATION, AND WATERTIGHT CONSTRUCTION THAT CAN BE RETROFITTED INTO EXISTING INSTALLATIONS. IN ADDITION TO THE COMPANY'S RANGE OF STANDARD PRODUCTS, EVERCAST WILL DESIGN AND MANUFACTURE CUSTOM STORM DRAINAGE PRODUCTS FOR EACH UNIQUE APPLICATION.

PRODUCT OVERVIEW



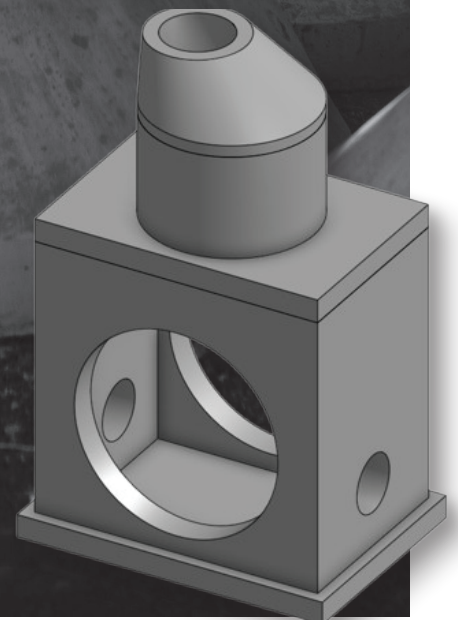
APPLICATIONS

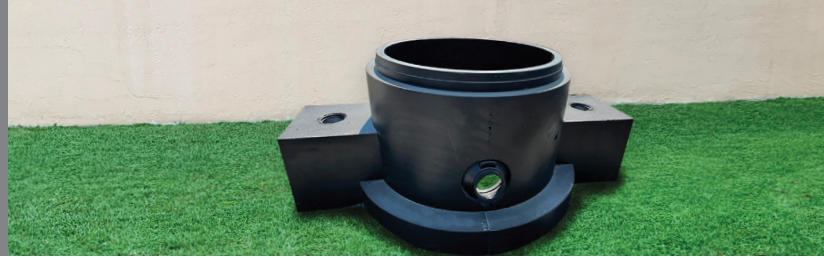
STORM STRUCTURES

- CURB/DROP INLETS
- MANHOLES
- JUNCTION BOXES
- HEADWALLS - ENDWALLS
- CATCH BASINS
- WATER QUALITY UNITS
- TRENCH DRAINS
- BOX CULVERTS
- ARCH CULVERTS
- RETENTION/DETENTION SYSTEMS

SANITARY STRUCTURES

- MANHOLES - 4' ID - 12' ID VARYING WALL THICKNESS
- WET WELLS - 4' ID - 12' ID VARYING WALL THICKNESS
- OIL WATER SEPARATORS
- VALVE VAULTS





SPECIFICATIONS



WHAT WE OFFER

ADVANTAGES AND BENEFITS

- **HIGH QUALITY** - RIGOROUS QUALITY CONTROL MEASURES ARE IN PLACE THROUGHOUT THE PRODUCTION PROCESS TO MEET OR EXCEED INDUSTRY STANDARDS
- **FAST TURNAROUND** - EFFICIENT SCHEDULING AND OPTIMIZED MANUFACTURING TECHNIQUES ENABLE US TO MEET PROJECT TIMELINES
- **EASY INSTALLATION** - PRECISE ENGINEERING AND DESIGN MAKE OUR PRECAST CONCRETE PRODUCTS EASY TO HANDLE AND INSTALL
- **SAME DAY BACKFILL** - THIS FEATURE ACCELERATES THE CONSTRUCTION TIMELINE, ALLOWING YOU TO MOVE FORWARD WITH YOUR PROJECT PROMPTLY
- **STANDARD PRODUCTS WITH CUSTOM DESIGNS AVAILABLE** - FOR UNIQUE PROJECT REQUIREMENTS, OUR TEAM CAN WORK WITH YOU TO CREATE CUSTOM-DESIGNED SOLUTIONS TAILORED TO YOUR SPECIFICATIONS

PRODUCT SPECIFICATIONS

- DESIGNED AND MANUFACTURED TO ASTM AND AASHTO STANDARDS
- DOT APPROVED
- NPCA CERTIFIED PLANTS

OUR PROCESS

- DETAILED SHOP DRAWINGS AND DESIGNS
- CUSTOM DESIGNS FOR MAXIMUM EFFICIENCY
- MEETS INDUSTRY STANDARDS AND REGULATORY REQUIREMENTS, ENSURING COMPLIANCE WITH UTILITY GUIDELINES AND SAFETY CODES